


 **Primary 4 Maths Term 4 (Red Swastika) 2020**  Duplicate Print Delete **Assign Test****Test Introduction**[+ Add Introduction](#)**55 Questions** (102 Points)**Question Bank:** 19,950 Questions 

Test Questions

1 Test Assignment

Question 1

Primary 4 Maths » Primary 4 Math (Term 4)

2 pts

Section A (40 marks)

In the number 56 780, which digit is in the tens place?

- A) 5
- B) 6
- C) 7
- ✓ D) 8

Question Type: Multiple Choice
Randomize Answers: No
Date Added: Wed 16th Jun 2021
Last Modified: Wed 16th Jun 2021
QID#: 28,093,827

[Answers](#) | [Edit](#) | [Duplicate](#) | [Used In](#) | [Reorder](#)[Remove From Test](#)**Question 2**

Primary 4 Maths » Primary 4 Math (Term 4)

2 pts

Which number below is 10 more than 3581?

- A) 3582
- ✓ B) 3591
- C) 3681
- D) 4581

Question Type: Multiple Choice
Randomize Answers: No
Date Added: Wed 16th Jun 2021
Last Modified: N/A
QID#: 28,093,835

[Answers](#) | [Edit](#) | [Duplicate](#) | [Used In](#) | [Reorder](#)

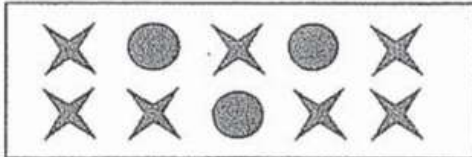
[Remove From Test](#)

Question 3

Primary 4 Maths » Primary 4 Math (Term 4)

2 pts

What fraction of the shapes in the box are ✖ ?



A) $\frac{3}{10}$

B) $\frac{3}{7}$

✓ C) $\frac{7}{10}$

D) $\frac{7}{3}$

Question Type: Multiple Choice
Randomize Answers: No
Date Added: Wed 16th Jun 2021
Last Modified: N/A
QID#: 28,093,847

[Answers](#) | [Edit](#) | [Duplicate](#) | [Used In](#) | [Reorder](#)

[Remove From Test](#)

Question 4

Primary 4 Maths » Primary 4 Math (Term 4)

2 pts

$$5\frac{3}{4} = \frac{\square}{4}$$

What is the missing number in the box?

- A) 15
- B) 17
- C) 20
- ✓ D) 23

Question Type: Multiple Choice
Randomize Answers: No
Date Added: Wed 16th Jun 2021
Last Modified: N/A
QID#: 28,093,851

[Answers](#) | [Edit](#) | [Duplicate](#) | [Used In](#) | [Reorder](#)

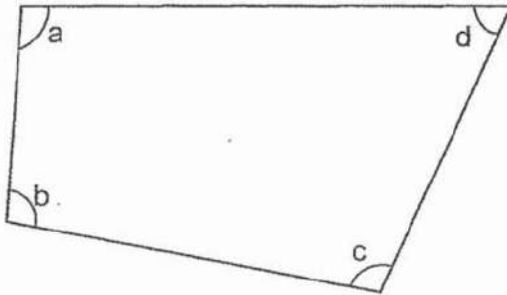
[Remove From Test](#)

Question 5

Primary 4 Maths » Primary 4 Math (Term 4)

2 pts

In the figure below, which angle is smaller than a right angle?



- A) a
- B) b
- C) c
- ✓ D) d

Question Type: Multiple Choice
Randomize Answers: No
Date Added: Wed 16th Jun 2021
Last Modified: N/A
QID#: 28,093,865

[Answers](#) | [Edit](#) | [Duplicate](#) | [Used In](#) | [Reorder](#)

[Remove From Test](#)

Question 6

Primary 4 Maths » Primary 4 Math (Term 4)

2 pts

Express 0.6 as a fraction in its simplest form.

✓ A)

$$\frac{3}{50}$$

B)

$$\frac{3}{5}$$

C)

$$\frac{1}{60}$$

D)

$$\frac{1}{6}$$

Question Type: Multiple Choice
Randomize Answers: No
Date Added: Wed 16th Jun 2021
Last Modified: N/A
QID#: 28,093,876

[Answers](#) | [Edit](#) | [Duplicate](#) | [Used In](#) | [Reorder](#)

[Remove From Test](#)

Question 7

Primary 4 Maths » Primary 4 Math (Term 4)

2 pts

56 is not a multiple of _____.

A) 8

B) 7

✓ C) 6

D) 4

Question Type: Multiple Choice
Randomize Answers: No
Date Added: Wed 16th Jun 2021
Last Modified: N/A
QID#: 28,093,888

[Answers](#) | [Edit](#) | [Duplicate](#) | [Used In](#) | [Reorder](#)

[Remove From Test](#)

Question 8

Primary 4 Maths » Primary 4 Math (Term 4)

2 pts

Shaun went into the library at 13 55. Given that Shaun stepped out of the library at 15 40, how long did he spend in the library?

- ✓ A) 105 mins
- B) 135 mins
- C) 145 mins
- D) 185 mins

Question Type: Multiple Choice
Randomize Answers: No
Date Added: Wed 16th Jun 2021
Last Modified: N/A
QID#: 28,093,895

[Answers](#) |
 [Edit](#) |
 [Duplicate](#) |
 [Used In](#) |
 [Reorder](#)

[Remove From Test](#)

Question 9

Primary 4 Maths » Primary 4 Math (Term 4)

2 pts

A number when rounded to the nearest thousand is 12 000. What is the greatest possible value of that number?

- A) 11 999
- B) 12 449
- ✓ C) 12 499
- D) 12 999

Question Type: Multiple Choice
Randomize Answers: No
Date Added: Wed 16th Jun 2021
Last Modified: N/A
QID#: 28,093,904

[Answers](#) |
 [Edit](#) |
 [Duplicate](#) |
 [Used In](#) |
 [Reorder](#)

[Remove From Test](#)

Question 10

Primary 4 Maths » Primary 4 Math (Term 4)

2 pts

The table below shows the number of \$1 coins, \$2 and \$5 notes collected by four students during the first hour of a fundraising event.

Student	\$1 coin	\$2 note	\$5 note
Alison	8	15	10
Beatrice	10	15	10
Charles	10	10	10
Danny	8	15	8

Who collected the most amount of money?

- A) Alison
- ✓ B) Beatrice

- C) Charles
- D) Danny

Question Type: Multiple Choice
Randomize Answers: No
Date Added: Wed 16th Jun 2021
Last Modified: N/A
QID#: 28,093,908

[Answers](#) | [Edit](#) | [Duplicate](#) | [Used In](#) | [Reorder](#)

[Remove From Test](#)

Question 11

Primary 4 Maths » Primary 4 Math (Term 4)

2 pts

How many symmetric figure(s) is/are there below?

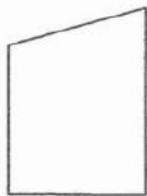


Figure A



Figure B



Figure C

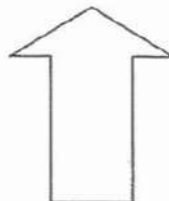


Figure D

- ✓ A) 1
- B) 2
- C) 3
- D) 4

Question Type: Multiple Choice
Randomize Answers: No
Date Added: Wed 16th Jun 2021
Last Modified: N/A
QID#: 28,093,915

[Answers](#) | [Edit](#) | [Duplicate](#) | [Used In](#) | [Reorder](#)

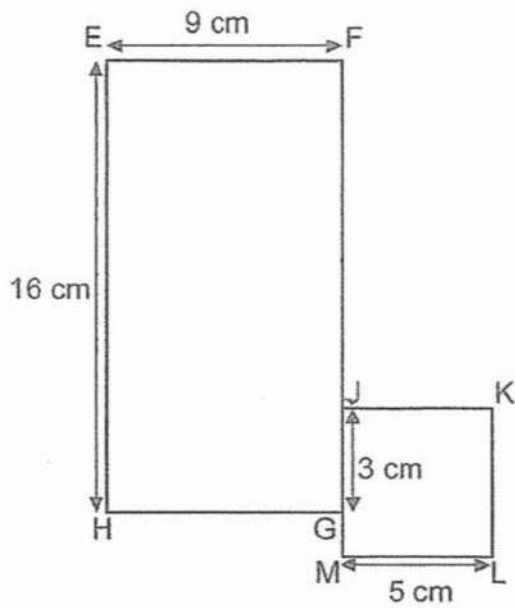
[Remove From Test](#)

Question 12

Primary 4 Maths » Primary 4 Math (Term 4)

2 pts

The figure below is made up of rectangle EFGH and square JKLM. Find the sum of the length FJ and GM.



- ✓ A) 15cm
- B) 18cm
- C) 21cm
- D) 25 cm

Question Type: Multiple Choice
Randomize Answers: No
Date Added: Wed 16th Jun 2021
Last Modified: N/A
QID#: 28,093,925

[Answers](#) | [Edit](#) | [Duplicate](#) | [Used In](#) | [Reorder](#)

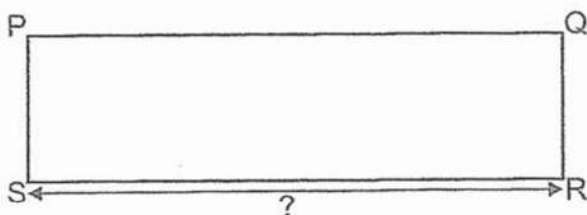
[Remove From Test](#)

Question 13

Primary 4 Maths » Primary 4 Math (Term 4)

2 pts

PQRS is a rectangle with its length thrice as long as its breadth as shown below. Find the length of rectangle PQRS given that its perimeter is 120 cm.



- A) 15cm
- B) 30cm
- C) 45cm



D) 90cm

Question Type: Multiple Choice
Randomize Answers: No
Date Added: Wed 16th Jun 2021
Last Modified: N/A
QID#: 28,093,937

[Answers](#) | [Edit](#) | [Duplicate](#) | [Used In](#) | [Reorder](#)

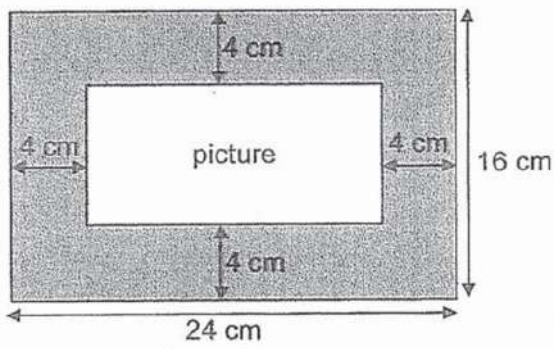
[Remove From Test](#)

Question 14

Primary 4 Maths » Primary 4 Math (Term 4)

2 pts

A picture is mounted on a frame measuring 24 cm by 16 cm. It has a border of 4 cm around it. Find the area of the picture.



- A) 48 cm²
- B) 128 cm²
- C) 240 cm²
- D) 384 cm²

Question Type: Multiple Choice
Randomize Answers: No
Date Added: Wed 16th Jun 2021
Last Modified: N/A
QID#: 28,093,949

[Answers](#) | [Edit](#) | [Duplicate](#) | [Used In](#) | [Reorder](#)

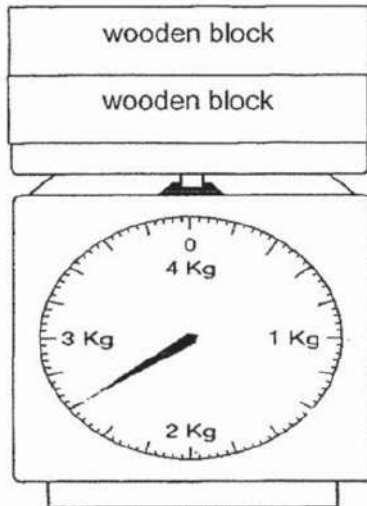
[Remove From Test](#)

Question 15

Primary 4 Maths » Primary 4 Math (Term 4)

2 pts

The scale below shows the mass of two identical wooden blocks. Find the mass of one wooden block.



- A) 1.15kg
- ✓ B) 1.3kg
- C) 2.3kg
- D) 2.6kg

Question Type: Multiple Choice
Randomize Answers: No
Date Added: Wed 16th Jun 2021
Last Modified: N/A
QID#: 28,093,955

[Answers](#) | [Edit](#) | [Duplicate](#) | [Used In](#) | [Reorder](#)

[Remove From Test](#)

Question 16

Primary 4 Maths » Primary 4 Math (Term 4)

2 pts

Muthu wanted to buy two shirts that cost \$25.65 each, but he was short of \$14.20. How much money did Muthu have?

- A) \$11.45
- ✓ B) \$37.10
- C) \$39.85
- D) \$65.50

Question Type: Multiple Choice
Randomize Answers: No
Date Added: Wed 16th Jun 2021
Last Modified: N/A
QID#: 28,093,972

[Answers](#) | [Edit](#) | [Duplicate](#) | [Used In](#) | [Reorder](#)

[Remove From Test](#)

Question 17

Primary 4 Maths » Primary 4 Math (Term 4)

2 pts

A machine took 36 minutes to make a box. Mr Ahmad turned on the machine to make 4 boxes continuously. At 5.30pm, he turned off the machine after it made 4 boxes. What time did he turn on the machine?

- ✓ A) 15 06
- B) 15 46
- C) 19 14
- D) 19 54

Question Type: Multiple Choice
Randomize Answers: No
Date Added: Wed 16th Jun 2021
Last Modified: N/A
QID#: 28,093,987

[Answers](#) |
 [Edit](#) |
 [Duplicate](#) |
 [Used In](#) |
 [Reorder](#)

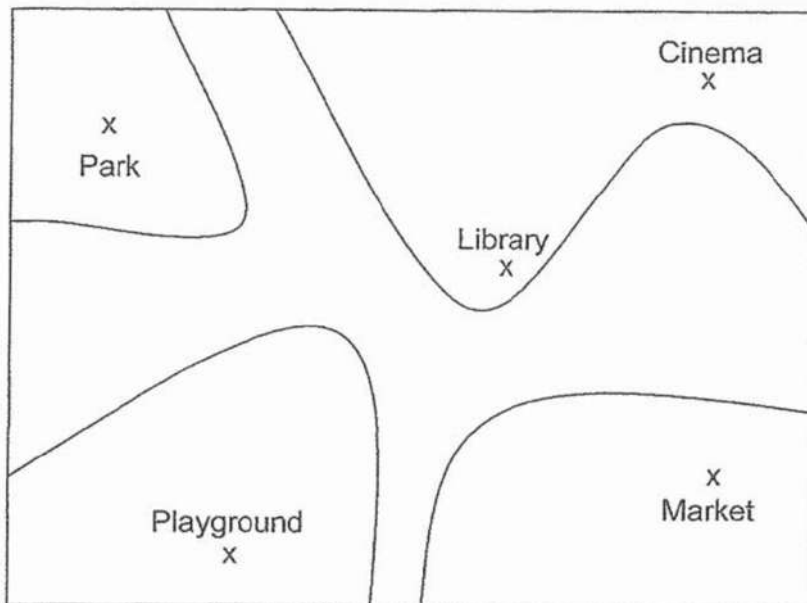
[Remove From Test](#)

Question 18

Primary 4 Maths » Primary 4 Math (Term 4)

2 pts

The picture below shows a map of XYZ Neighbourhood.



The library is north-east of the _____.

- A) cinema
- B) market
- C) park
- ✓ D) playground

Question Type: Multiple Choice
Randomize Answers: No
Date Added: Wed 16th Jun 2021
Last Modified: N/A
QID#: 28,093,995

[Answers](#) |
 [Edit](#) |
 [Duplicate](#) |
 [Used In](#) |
 [Reorder](#)

[Remove From Test](#)

Question 19

Primary 4 Maths » Primary 4 Math (Term 4)

2 pts

Xavier, Yan Li and Zoe shared 1400 cards. Xavier had 200 fewer cards than Yan Li and twice as many cards as Zoe. How many card did Xavier have?

- A) 240
- B) 300
- ✓ C) 480
- D) 640

Question Type: Multiple Choice
Randomize Answers: No
Date Added: Wed 16th Jun 2021
Last Modified: N/A
QID#: 28,094,010

[Answers](#) |
 [Edit](#) |
 [Duplicate](#) |
 [Used In](#) |
 [Reorder](#)

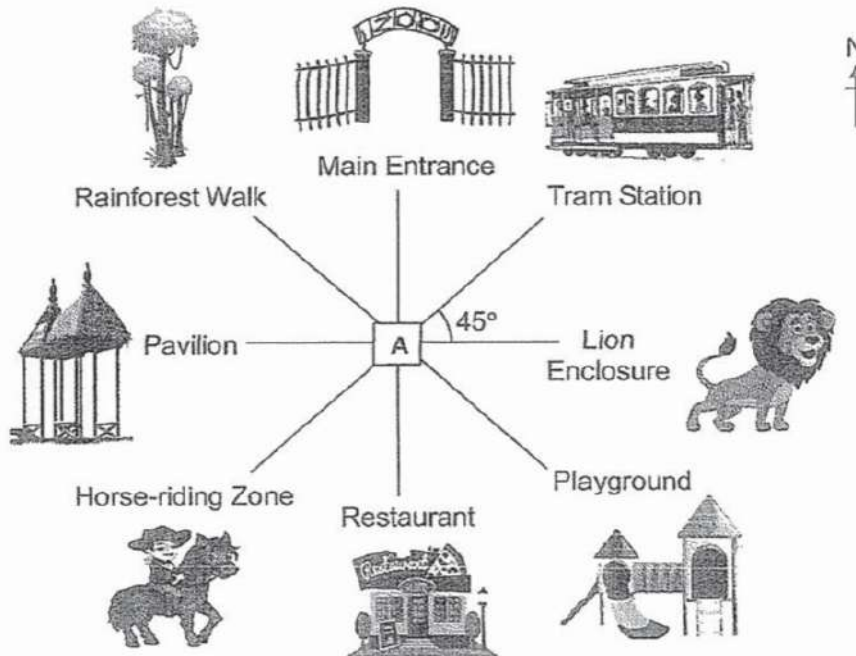
[Remove From Test](#)

Question 20

Primary 4 Maths » Primary 4 Math (Term 4)

2 pts

Vivian is standing at A facing south-west.



Vivian turns through an angle of 225° in an anti-clockwise direction. Then, she makes a _____ in the clockwise direction to face the lion enclosure.

- ✓ A)

$\frac{1}{4}$ -turn

B) $\frac{1}{2}$ -turn

C) $\frac{3}{4}$ -turn

D) 1 complete turn

Question Type: Multiple Choice
Randomize Answers: No
Date Added: Wed 16th Jun 2021
Last Modified: N/A
QID#: 28,094,029

[Answers](#) | [Edit](#) | [Duplicate](#) | [Used In](#) | [Reorder](#)

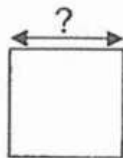
[Remove From Test](#)

Question 21

Primary 4 Maths » Primary 4 Math (Term 4)

1 pt

The perimeter of a square is 24 cm. What is its length?



Accepted answers:

- ✓ 6cm
- ✓ 6 cm
- ✓ 6

Question Type: Free Text
Date Added: Wed 16th Jun 2021
Last Modified: N/A
QID#: 28,094,145

[Answers](#) | [Edit](#) | [Duplicate](#) | [Used In](#) | [Reorder](#)

[Remove From Test](#)

Question 22

Primary 4 Maths » Primary 4 Math (Term 4)

1 pt

You are given four number cards.



Arrange the cards to form the greatest 4-digit odd number.

Accepted answers:

- ✓ 5423
- ✓ 5 4 2 3
- ✓ 5, 4, 2, 3

Question Type: Free Text
 Date Added: Wed 16th Jun 2021
 Last Modified: N/A
 QID#: 28,094,151

[Answers](#) | [Edit](#) | [Duplicate](#) | [Used In](#) | [Reorder](#)

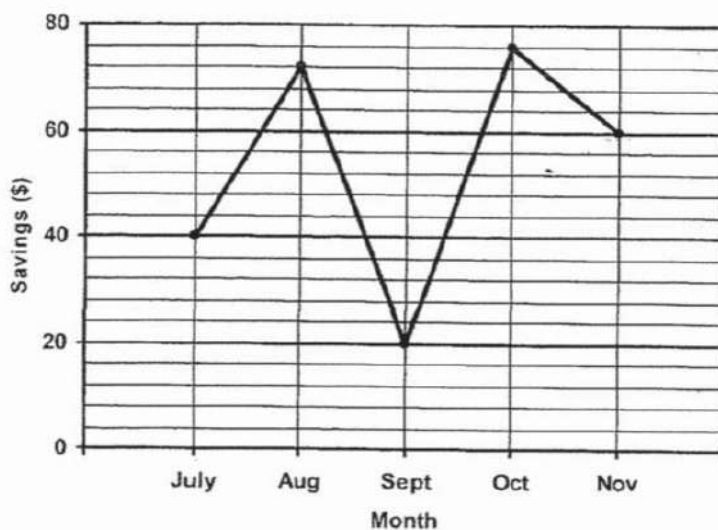
[Remove From Test](#)

Question 23

Primary 4 Maths » Primary 4 Math (Term 4)

1 pt

The line graph below shows the amount of money Siti saved at the end of each month from July to November. Study the graph carefully and use it to answer Questions 24 to 26.



Find the sum of Siti's saving in July and August.

Accepted answers:

- ✓ \$112
- ✓ \$ 112
- ✓ 112

Question Type: Free Text
Date Added: Wed 16th Jun 2021
Last Modified: N/A
QID#: 28,094,157

[Answers](#) | [Edit](#) | [Duplicate](#) | [Used In](#) | [Reorder](#)

[Remove From Test](#)

Question 24

Primary 4 Maths » Primary 4 Math (Term 4)

1 pt

Which month did she save thrice as much as September?

- A) July
- B) August
- C) September
- D) October
- ✓ E) November

Question Type: Multiple Choice
Randomize Answers: No
Date Added: Wed 16th Jun 2021
Last Modified: N/A
QID#: 28,094,592

[Answers](#) | [Edit](#) | [Duplicate](#) | [Used In](#) | [Reorder](#)

[Remove From Test](#)

Question 25

Primary 4 Maths » Primary 4 Math (Term 4)

1 pt

What was the difference between Sit's highest and the lowest savings recorded on the graph?

Accepted answers:

- ✓ \$56
- ✓ \$ 56
- ✓ 56

Question Type: Free Text
Date Added: Wed 16th Jun 2021
Last Modified: N/A
QID#: 28,094,596

[Answers](#) | [Edit](#) | [Duplicate](#) | [Used In](#) | [Reorder](#)

[Remove From Test](#)

Question 26

Primary 4 Maths » Primary 4 Math (Term 4)

1 pt

The table below shows the number of people who attended an event last weekend.

		Number of people
Male	Boys	15
	Men	18
Female	Girls	25
	Women	25

$\frac{1}{2}$ of the people who attended the event were adults. Find the number of girls who attended the event.

Accepted answers:

- ✓ 28
- ✓ 28 girls

Question Type: Free Text
 Date Added: Wed 16th Jun 2021
 Last Modified: N/A
 QID#: 28,094,601

[Answers](#) | [Edit](#) | [Duplicate](#) | [Used In](#) | [Reorder](#)

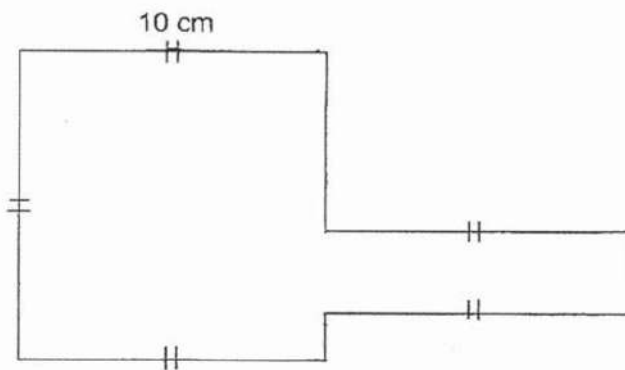
[Remove From Test](#)

Question 27

Primary 4 Maths » Primary 4 Math (Term 4)

1 pt

In the figure below, all the lines meet at right angle. Find the perimeter of the figure.



Accepted answers:

- ✓ 60cm
- ✓ 60 cm
- ✓ 60

Question Type: Free Text
 Date Added: Wed 16th Jun 2021

Last Modified: N/A
QID#: 28,094,606

Answers | Edit | Duplicate | Used In | Reorder

Remove From Test

Question 28

Primary 4 Maths » Primary 4 Math (Term 4)

1 pt

Jason's clock is 25 minutes slow. After spending 30 minutes on painting, the time on his clock was 11.15am. What was the actual time he started painting?

Accepted answers:

- ✓ 11.10am
- ✓ 11.10 am
- ✓ 11.10

Question Type: Free Text
Date Added: Wed 16th Jun 2021
Last Modified: N/A
QID#: 28,094,615

Answers | Edit | Duplicate | Used In | Reorder

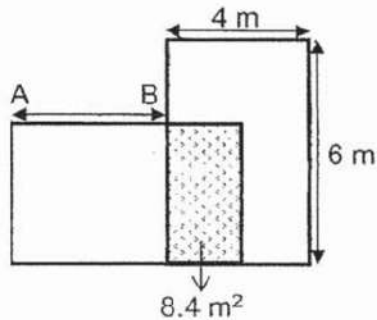
Remove From Test

Question 29

Primary 4 Maths » Primary 4 Math (Term 4)

1 pt

Two rectangular mats, each 4 m by 6 m are placed on the floor as shown below. The mats overlap and the area of the floor covered by the overlap is 8.4 m^2 . Find the length of AB.



Accepted answers:

- ✓ 3.9
- ✓ 3.9m
- ✓ 3.9 m

Question Type: Free Text
Date Added: Wed 16th Jun 2021
Last Modified: N/A
QID#: 28,094,625

Correctly answered feedback

8.4+4=2.1
6-2.1=3.9

Incorrectly answered feedback

8.4+4=2.1
6-2.1=3.9

[Answers](#) | [Edit](#) | [Duplicate](#) | [Used In](#) | [Reorder](#)

[Remove From Test](#)

Question 30

Primary 4 Maths » Primary 4 Math (Term 4)

1 pt

Write eleven thousand and thirty-four in figures.

Accepted answers:

✓ 11034

Question Type: Free Text
Date Added: Wed 16th Jun 2021
Last Modified: N/A
QID#: 28,094,629

[Answers](#) | [Edit](#) | [Duplicate](#) | [Used In](#) | [Reorder](#)

[Remove From Test](#)

Question 31

Primary 4 Maths » Primary 4 Math (Term 4)

1 pt

Find the product of 2150 and 3.

Accepted answers:

✓ 6450

Question Type: Free Text
Date Added: Wed 16th Jun 2021
Last Modified: N/A
QID#: 28,094,634

[Answers](#) | [Edit](#) | [Duplicate](#) | [Used In](#) | [Reorder](#)

[Remove From Test](#)

Question 32

Primary 4 Maths » Primary 4 Math (Term 4)

1 pt

Two factors of 10 are 1 and 10. What are the other two factors of 10

Accepted answers:

- ✓ 2 and 5
- ✓ 2 5
- ✓ 2,5
- ✓ 2, 5
- ✓ 2,5

Question Type: Free Text
Date Added: Wed 16th Jun 2021
Last Modified: N/A
QID#: 28,094,641

[Answers](#) | [Edit](#) | [Duplicate](#) | [Used In](#) | [Reorder](#)

[Remove From Test](#)

Question 33

Primary 4 Maths » Primary 4 Math (Term 4)

1 pt

What is the value of $\frac{5}{6} + \frac{2}{3}$?

Express your answer as a mixed number.

Accepted answers:

- ✓ 1 1/2
- ✓ 1 1/2
- ✓ 1 1/2
- ✓ 1 1/2
- ✓ 11/2

Question Type: Free Text
Date Added: Wed 16th Jun 2021
Last Modified: N/A
QID#: 28,094,647

[Answers](#) | [Edit](#) | [Duplicate](#) | [Used In](#) | [Reorder](#)

[Remove From Test](#)

Question 34

Primary 4 Maths » Primary 4 Math (Term 4)

1 pt

Which two of the fractions below are smaller than $\frac{1}{2}$?

✓ A)

$\frac{2}{5}$

B)

$\frac{3}{6}$

C)

$\frac{4}{7}$

D)

✓

$$\frac{5}{12}$$

Question Type: Multiple Response
Randomize Answers: No
Grade style: Full points if all answers are correct
Date Added: Wed 16th Jun 2021
Last Modified: N/A
QID#: 28,094,659

[Answers](#) |
 [Edit](#) |
 [Duplicate](#) |
 [Used In](#) |
 [Reorder](#)

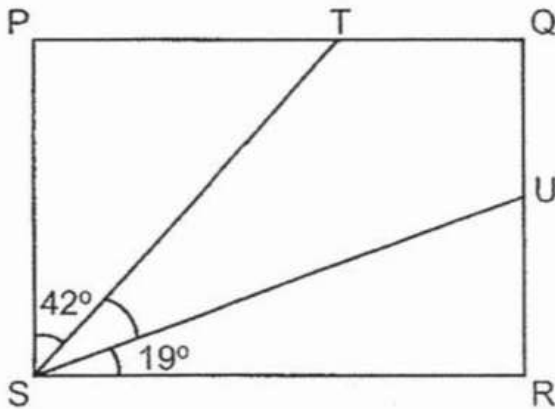
[Remove From Test](#)

Question 35

Primary 4 Maths » Primary 4 Math (Term 4)

1 pt

In the figure shown, PQRS is a rectangle. Find $\angle TSU$.



Accepted answers:

✓ 29

Question Type: Free Text
Date Added: Wed 16th Jun 2021
Last Modified: N/A
QID#: 28,094,673

[Answers](#) |
 [Edit](#) |
 [Duplicate](#) |
 [Used In](#) |
 [Reorder](#)

[Remove From Test](#)

Question 36

Primary 4 Maths » Primary 4 Math (Term 4)

1 pt

5.4-0.68=_____

Accepted answers:

✓ 4.72

Question Type: Free Text
Date Added: Wed 16th Jun 2021
Last Modified: N/A
QID#: 28,094,674

[Answers](#) | [Edit](#) | [Duplicate](#) | [Used In](#) | [Reorder](#)

[Remove From Test](#)

Question 37

Primary 4 Maths » Primary 4 Math (Term 4)

1 pt

Match the options below in order from the greatest to the smallest:

Clue	Match
0.502	greatest
0.205	great
0.052	smallest

Question Type: Matching
Grade style: Full points if all answers are correct
Shuffle Mode: Shuffle Matches Only
Date Added: Wed 16th Jun 2021
Last Modified: N/A
QID#: 28,094,682

[Answers](#) | [Edit](#) | [Duplicate](#) | [Used In](#) | [Reorder](#)

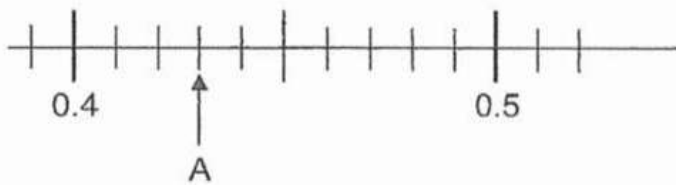
[Remove From Test](#)

Question 38

Primary 4 Maths » Primary 4 Math (Term 4)

1 pt

Write the decimal represented by A.



Accepted answers:

✓ 0.43

Question Type: Free Text
Date Added: Wed 16th Jun 2021
Last Modified: N/A
QID#: 28,094,687

[Answers](#) | [Edit](#) | [Duplicate](#) | [Used In](#) | [Reorder](#)

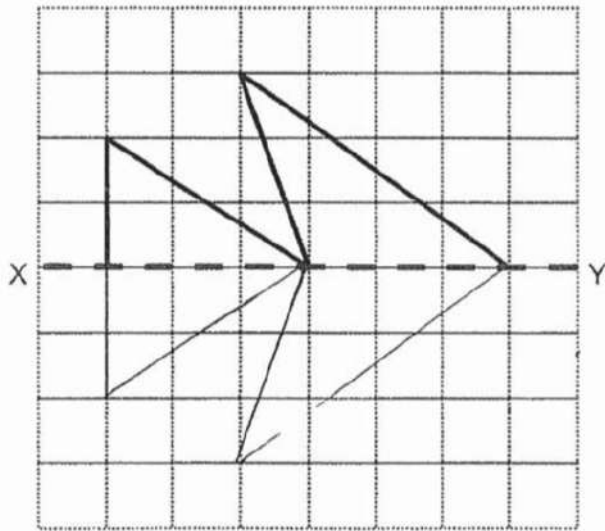
[Remove From Test](#)

Question 39

Primary 4 Maths » Primary 4 Math (Term 4)

0 pts

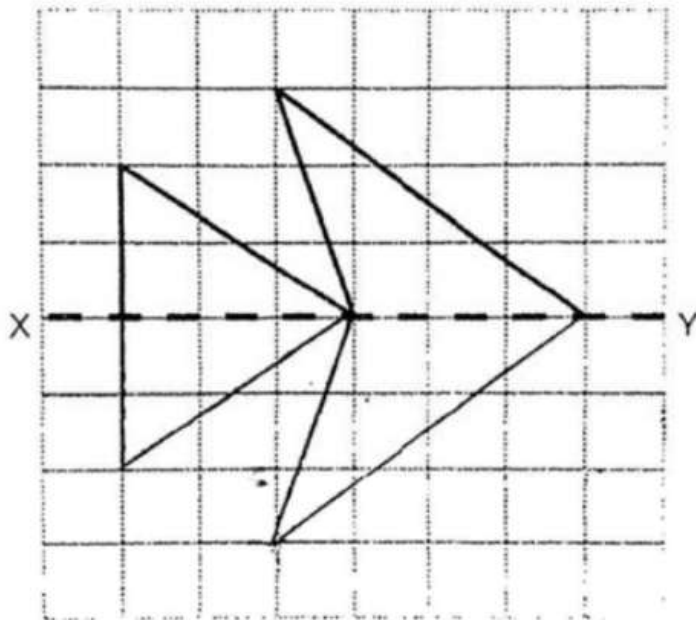
Complete the symmetric figure below with XY as the line of symmetry.



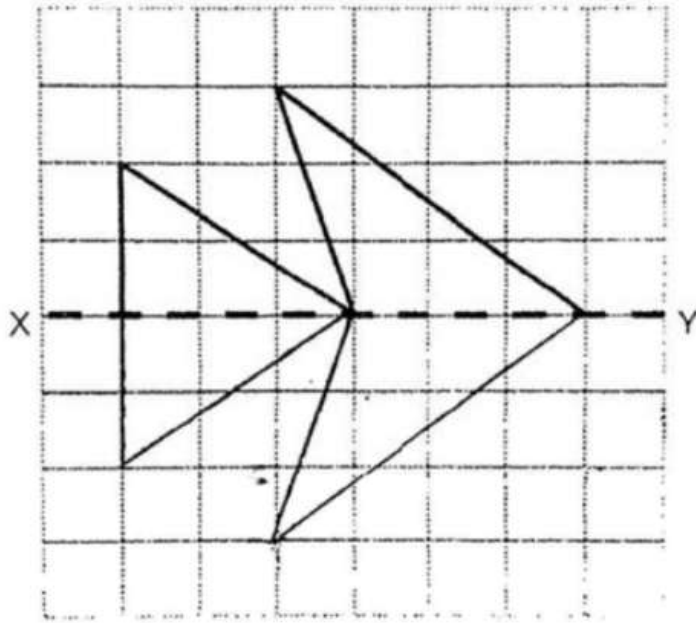
Please type "done" to proceed to the next question

Question Type: Essay
Date Added: Wed 16th Jun 2021
Last Modified: N/A
QID#: 28,094,692

Correctly answered feedback



Incorrectly answered feedback



[Answers](#) |
 [Edit](#) |
 [Duplicate](#) |
 [Used In](#) |
 [Reorder](#)

[Remove From Test](#)

Question 40

Primary 4 Maths » Primary 4 Math (Term 4)

3 pts

A box contains red, blue and yellow beads. $\frac{2}{5}$ of the beads are red. There are 42 blue beads and 18 yellow beads in the box. How many red beads are there in the box?

Accepted answers:

- ✓ 40
- ✓ 40 red beads

Question Type: Free Text
Date Added: Wed 16th Jun 2021
Last Modified: N/A
QID#: 28,094,701

[Answers](#) |
 [Edit](#) |
 [Duplicate](#) |
 [Used In](#) |
 [Reorder](#)

[Remove From Test](#)

Question 41

Primary 4 Maths » Primary 4 Math (Term 4)

3 pts

Mr Rahim bought 10 muffins and 2 donuts from a bakery. The muffins were sold in packs of 2 for \$3.65 and MrRahim paid less than \$20 for all the muffins and donuts bought.

a) How much did Mr Rahim pay for the 10 muffins?

Accepted answers:

- ✓ 18.25
- ✓ \$18.25

✓ \$ 18.25

Question Type: Free Text
Date Added: Wed 16th Jun 2021
Last Modified: N/A
QID#: 28,094,711

Correctly answered feedback

$10 \div 2 = 5$
 $3.65 \times 5 = 18.25$

Incorrectly answered feedback

$10 \div 2 = 5$
 $3.65 \times 5 = 18.25$

[Answers](#) |
 [Edit](#) |
 [Duplicate](#) |
 [Used In](#) |
 [Reorder](#)

[Remove From Test](#)

Question 42

Primary 4 Maths » Primary 4 Math (Term 4)

3 pts

b) Was a pack of 2 muffins cheaper or more expensive than the total cost of the 2 donuts?

- A) cheaper
 ✓ B) more expensive

Question Type: Multiple Choice
Randomize Answers: No
Date Added: Wed 16th Jun 2021
Last Modified: N/A
QID#: 28,094,717

[Answers](#) |
 [Edit](#) |
 [Duplicate](#) |
 [Used In](#) |
 [Reorder](#)

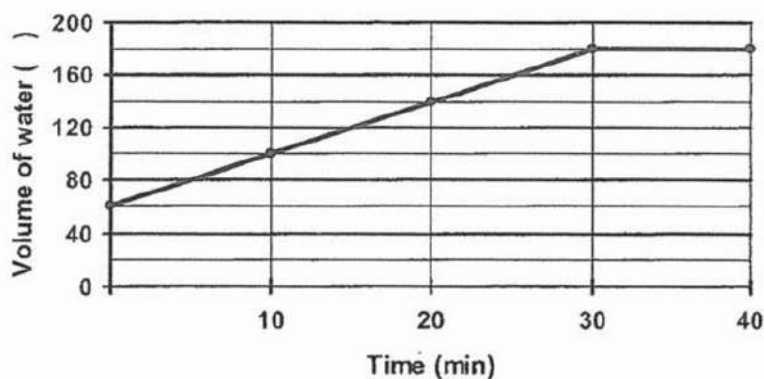
[Remove From Test](#)

Question 43

Primary 4 Maths » Primary 4 Math (Term 4)

3 pts

A tank was partly filled with water at first. A tap was then turned on for 30 minutes to fill the tank completely. The line graph shows the volume of water in the tank at regular intervals of time for 40 minutes.



(a) How many litres of water were there in the tank at first?

Accepted answers:

- ✓ 60l
- ✓ 60 l
- ✓ 60

Question Type: Free Text
Date Added: Wed 16th Jun 2021
Last Modified: N/A
QID#: 28,094,722

[↗ Answers](#) | [✎ Edit](#) | [📄 Duplicate](#) | [📌 Used In](#) | [⬇ Reorder](#)

[Remove From Test](#)

Question 44

Primary 4 Maths » Primary 4 Math (Term 4)

3 pts

b) How many litres of water was added into the tank between the 10th and 30th minute?

Accepted answers:

- ✓ 80L
- ✓ 80 L
- ✓ 80

Question Type: Free Text
Date Added: Wed 16th Jun 2021
Last Modified: N/A
QID#: 28,094,727

[↗ Answers](#) | [✎ Edit](#) | [📄 Duplicate](#) | [📌 Used In](#) | [⬇ Reorder](#)

[Remove From Test](#)

Question 45

Primary 4 Maths » Primary 4 Math (Term 4)

3 pts

Leon bought 5.85 kg of flour. He used $\frac{4}{5}$ of it to bake some cakes.

(a) Find the mass of flour he had left in kilograms.

Accepted answers:

- ✓ 1.17kg
- ✓ 1.17 kg
- ✓ 1.17

Question Type: Free Text
Date Added: Wed 16th Jun 2021
Last Modified: N/A
QID#: 28,094,734

[Answers](#) |
 [Edit](#) |
 [Duplicate](#) |
 [Used In](#) |
 [Reorder](#)

[Remove From Test](#)

Question 46

Primary 4 Maths » Primary 4 Math (Term 4)

3 pts

b) Leon then repacked the remaining flour really into 6 packets. What is the mass of the flour one each packet in kilograms?

Accepted answers:

- ✓ 0.195kg
- ✓ 0.195 kg
- ✓ 0.195

Question Type: Free Text
Date Added: Wed 16th Jun 2021
Last Modified: N/A
QID#: 28,094,743

Correctly answered feedback

$$1.17 \div 6 = 0.195$$

Incorrectly answered feedback

$$1.17 \div 6 = 0.195$$

[Answers](#) |
 [Edit](#) |
 [Duplicate](#) |
 [Used In](#) |
 [Reorder](#)

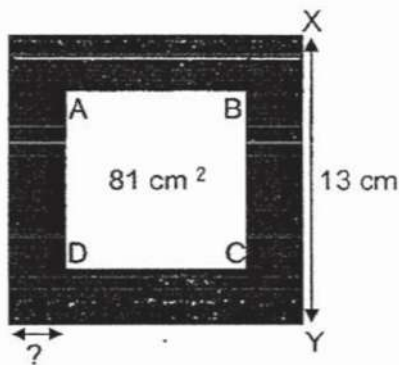
[Remove From Test](#)

Question 47

Primary 4 Maths » Primary 4 Math (Term 4)

3 pts

4 identical rectangles are arranged as shown below. XY is 13 cm and the unshaded area Square ABCD is 81 cm^2 . Find the breadth of the rectangle.



Accepted answers:

- ✓ 2cm
- ✓ 2 cm
- ✓ 2

Question Type: Free Text
Date Added: Wed 16th Jun 2021
Last Modified: N/A
QID#: 28,094,751

Correctly answered feedback

9x9=81
 13-9=4
 4÷2=2

Incorrectly answered feedback

9x9=81
 13-9=4
 4÷2=2

[Answers](#) | [Edit](#) | [Duplicate](#) | [Used In](#) | [Reorder](#)

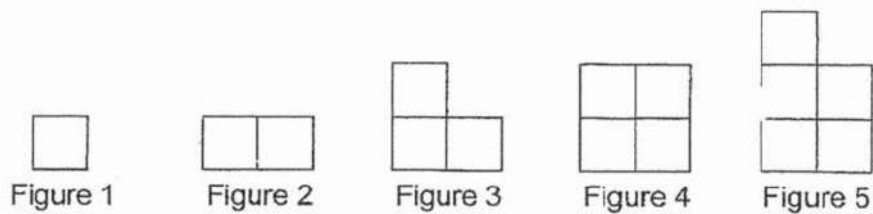
[Remove From Test](#)

Question 48

Primary 4 Maths » Primary 4 Math (Term 4)

3 pts

Ali uses sticks to form figures that follow a pattern. The first five figures are shown below.



- (a) The table below shows the number of sticks used for each figure. Complete the table for Figure 6 and Figure 7.

Figure Number	Number of sticks used
1	4
2	7
3	10
4	12
5	15
6	
7	

Accepted answers:

- ✓ 17,20
- ✓ 17, 20
- ✓ 17 ,20
- ✓ 17 , 20
- ✓ 17 20

Question Type: Free Text
Date Added: Wed 16th Jun 2021
Last Modified: N/A
QID#: 28,094,757

[Answers](#) | [Edit](#) | [Duplicate](#) | [Used In](#) | [Reorder](#)

[Remove From Test](#)

Question 49

Primary 4 Maths » Primary 4 Math (Term 4)

3 pts

b) What is the difference in the number of sticks Ali would use for Figure 9 and Figure 11?

Accepted answers:

✓ 5

Question Type: Free Text
Date Added: Wed 16th Jun 2021
Last Modified: N/A
QID#: 28,094,763

Correctly answered feedback

30-25=5

Incorrectly answered feedback

30-25=5

[Answers](#) | [Edit](#) | [Duplicate](#) | [Used In](#) | [Reorder](#)

[Remove From Test](#)

Question 50

Primary 4 Maths » Primary 4 Math (Term 4)

3 pts

c) In which figure number would Ali use 40 sticks?

Accepted answers:

✓ 15

Question Type: Free Text
Date Added: Wed 16th Jun 2021
Last Modified: N/A
QID#: 28,094,767

[Answers](#) | [Edit](#) | [Duplicate](#) | [Used In](#) | [Reorder](#)

[Remove From Test](#)

Question 51

Primary 4 Maths » Primary 4 Math (Term 4)

3 pts

Hazel had 80 more stickers than Jun Ming. Hazel gave 85 stickers to Jun Ming . In the end, Jun Ming had thrice as many stickers as Hazel.

a) How many stickers did Hazel had in the end?

Accepted answers:

✓ 45

Question Type: Free Text
Date Added: Wed 16th Jun 2021
Last Modified: N/A
QID#: 28,094,779

Correctly answered feedback

5+5=10
 80+10=90
 90÷2=45

Incorrectly answered feedback

5+5=10
 80+10=90
 90÷2=45

↗ Answers | ✎ Edit | 📄 Duplicate | ↩ Used In | ⚙ Reorder

Remove From Test

Question 52

Primary 4 Maths » Primary 4 Math (Term 4)

3 pts

b) How many stickers did Jun Ming had at first?

Accepted answers:

✓ 50

Question Type: Free Text
Date Added: Wed 16th Jun 2021
Last Modified: N/A
QID#: 28,094,784

Correctly answered feedback

45+5=50

Incorrectly answered feedback

45+5=50

↗ Answers | ✎ Edit | 📄 Duplicate | ↩ Used In | ⚙ Reorder

Remove From Test

Question 53

Primary 4 Maths » Primary 4 Math (Term 4)

3 pts

Mrs Tan had $5\frac{4}{9}$ m of blue ribbon, $5\frac{2}{3}$ m of red ribbon and $6\frac{1}{3}$ m of green ribbon.

(a) Find the difference between the length of the longest and the shortest ribbon Mrs Tan had.

Accepted answers:

✓ 8/9m

✓ 8/9 m

✓ 8/9

Question Type: Free Text
Date Added: Wed 16th Jun 2021
Last Modified: N/A
QID#: 28,094,792

[Answers](#) | [Edit](#) | [Duplicate](#) | [Used In](#) | [Reorder](#)

[Remove From Test](#)

Question 54

Primary 4 Maths » Primary 4 Math (Term 4)

1 pt

Mrs Tan then used an equal length of the blue and red ribbon to tie a present.

Statement: After tying the present, Mrs Tan had a longer length of blue ribbon than red ribbon left

- A) True
- ✓ B) False
- C) Not possible to tell

Question Type: Multiple Choice
Randomize Answers: No
Date Added: Wed 16th Jun 2021
Last Modified: N/A
QID#: 28,094,814

[Answers](#) | [Edit](#) | [Duplicate](#) | [Used In](#) | [Reorder](#)

[Remove From Test](#)

Question 55

Primary 4 Maths » Primary 4 Math (Term 4)

1 pt

After tying the present, the length of the red ribbon was twice the length of the blue ribbon left

- A) True
- B) False
- ✓ C) Not possible to tell

Question Type: Multiple Choice
Randomize Answers: No
Date Added: Wed 16th Jun 2021
Last Modified: N/A
QID#: 28,094,821

[Answers](#) | [Edit](#) | [Duplicate](#) | [Used In](#) | [Reorder](#)

[Remove From Test](#)